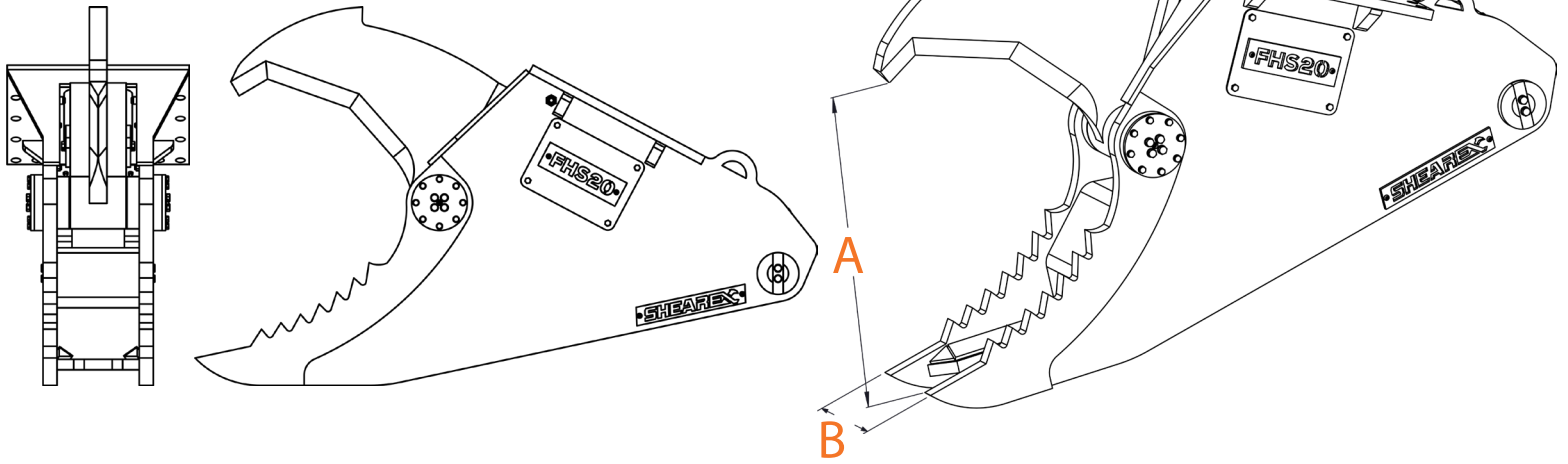


HARVESTER SHEAR

FHS SERIES



LOW
MAINTENANCE

EXTREME
CUTTING FORCE

HIGH-QUALITY
STEEL



IDEAL FOR
LAND CLEARING

Finish your landclearing jobs in-depth by uprooting and cutting roots, stumps, and biomass beyond the reach of your other land clearing tools.

SPECIFICATIONS

			A	B			
	Carrier	lbs (kg) Weight	in (mm) Opening	in (mm) Width	in (mm) Depth	PSI (bar) Pressure	(t) Force
FHS20	15t-25t	2,680 (1218)	39 (990)	15.75 (400)	28 (711)	5,000 (350)	30
FHS30	25t-35t	4,640 (2110)	55 (1400)	18.00 (457)	37 (940)	5,000 (350)	45

The information is subject to change without notice.

sales@shearex.ca - 579-213-0350

325, rue de l'Église, Roxton Falls, QC J0H 1E0



A GRYP COMPANY